



# Food Processor Cutter Mixer 5.5 LT - Variable Speed

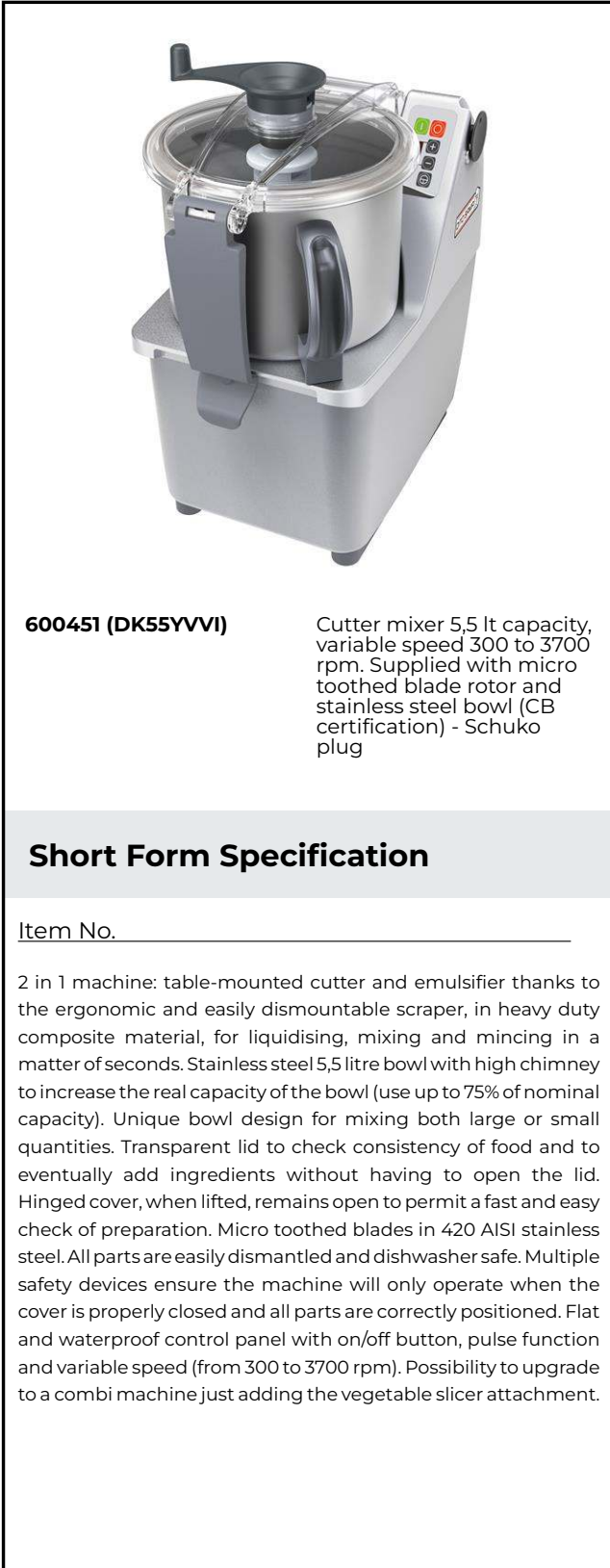
ITEM # \_\_\_\_\_

MODEL # \_\_\_\_\_

NAME # \_\_\_\_\_

SIS # \_\_\_\_\_

AIA # \_\_\_\_\_



**600451 (DK55YVVI)**

Cutter mixer 5,5 lt capacity, variable speed 300 to 3700 rpm. Supplied with micro toothed blade rotor and stainless steel bowl (CB certification) - Schuko plug

## Short Form Specification

Item No. \_\_\_\_\_

2 in 1 machine: table-mounted cutter and emulsifier thanks to the ergonomic and easily dismantlable scraper, in heavy duty composite material, for liquidising, mixing and mincing in a matter of seconds. Stainless steel 5,5 litre bowl with high chimney to increase the real capacity of the bowl (use up to 75% of nominal capacity). Unique bowl design for mixing both large or small quantities. Transparent lid to check consistency of food and to eventually add ingredients without having to open the lid. Hinged cover, when lifted, remains open to permit a fast and easy check of preparation. Micro toothed blades in 420 AISI stainless steel. All parts are easily dismantled and dishwasher safe. Multiple safety devices ensure the machine will only operate when the cover is properly closed and all parts are correctly positioned. Flat and waterproof control panel with on/off button, pulse function and variable speed (from 300 to 3700 rpm). Possibility to upgrade to a combi machine just adding the vegetable slicer attachment.

APPROVAL: \_\_\_\_\_

## Main Features

- Table-mounted robust cutter and emulsifier allows fast liquidizing, mixing, chopping, mincing, and pastry-making.
- Emulsifier function (scraper) included as standard.
- Base fixed cover for a better handling.
- Lid with central opening to add ingredients in mid-cycle.
- All parts in contact with food are removable without the use of tools, completely dismantlable and dishwasher safe.
- Easy to clean and waterproof control panel with flat on/off button and pulse function.
- Microswitch and safety devices on handle, lid and bowl.
- Pulse function for coarse chopping.
- Productivity suitable for 50-100 meals per service.

## Construction

- Stainless steel 5.5 liter bowl has a high chimney to ensure high productivity also when processing liquids.
- Micro-toothed blades in 420 AISI stainless steel and ergonomic scraper in resistant composite material to ensure consistent mixing.
- Variable speed from 300 to 3700 rpm.
- Transparent lid incorporates a magnetic contact safety system.
- Improved ventilation system to manage smoothly heavy duty use.
- Main on/off switch for added safety.
- Reinforced feet to withstand the repeated handling of the unit.
- Main switch ON/OFF on the back of the appliance.

## Included Accessories

- 1 of Lid and bowl scraper for 5,5 PNC 650102 lt cutter mixer
- 1 of Stainless steel bowl for 5,5 PNC 653590 lt cutter mixer
- 1 of Smooth blade rotor for 5,5 PNC 653879 lt cutter mixer

## Optional Accessories

- Lid and bowl scraper for 5,5 lt PNC 650102
- Stainless steel bowl for 5,5 lt PNC 653590
- Smooth blade rotor for 5,5 lt PNC 653878

Cutter Mixer 5.5 LT - Variable Speed  
Food Processor



## Food Processor Cutter Mixer 5.5 LT - Variable Speed

- Smooth blade rotor for 5,5 lt cutter PNC 653879  mixer
- Microtooth blade rotor (emulsifier) PNC 653880  for 5,5 lt cutter mixer



Food Processor  
Cutter Mixer 5.5 LT - Variable Speed

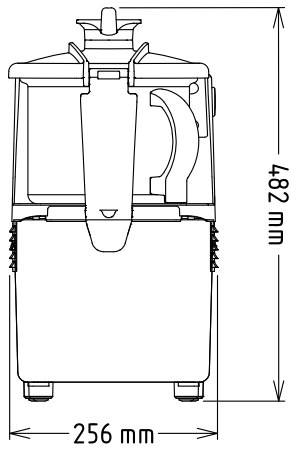
The company reserves the right to make modifications to the products without prior notice. All information correct at time of printing.

2026.04.21

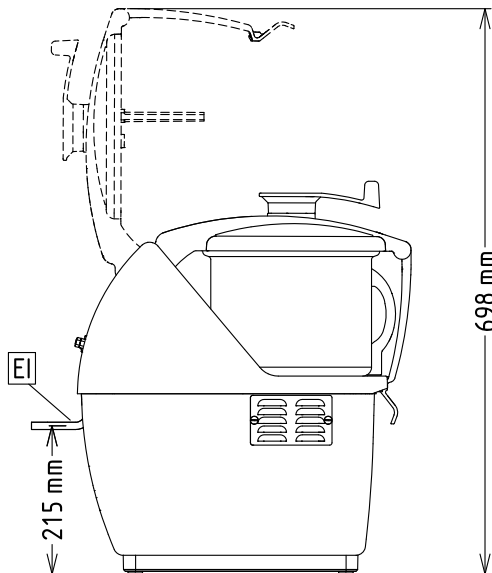


# Food Processor Cutter Mixer 5.5 LT - Variable Speed

Front

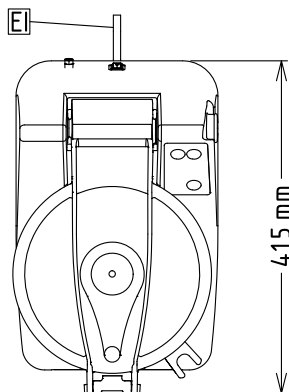


Side



EI = Electrical inlet  
(power)

Top



## Electric

<b>Supply voltage:</b>	200-240 V/1N ph/50/60 Hz
<b>Electrical power, max:</b>	1.3 kW
<b>Total Watts:</b>	1.3 kW

## Capacity:

<b>Performance (up to):</b>	2.5 kg/Cycle
<b>Capacity:</b>	5.5 litres

## Key Information:

<b>External dimensions, Width:</b>	256 mm
<b>External dimensions, Depth:</b>	415 mm
<b>External dimensions, Height:</b>	482 mm
<b>Shipping weight:</b>	23 kg

Food Processor  
Cutter Mixer 5.5 LT - Variable Speed

The company reserves the right to make modifications to the products without prior notice. All information correct at time of printing.



2026.04.21